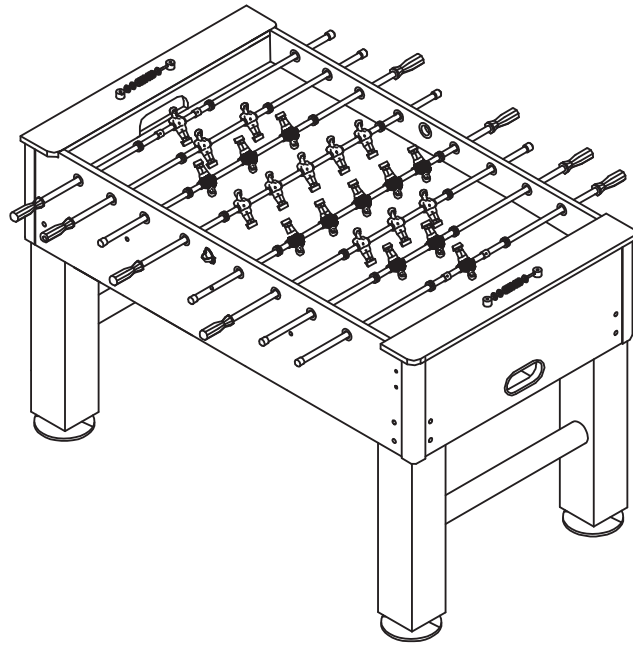


# TABLE SOCCER

Model#SUO-5529M

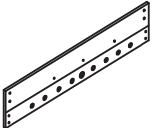
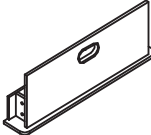


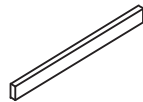
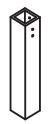




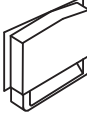





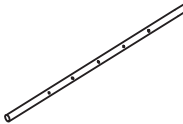








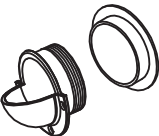
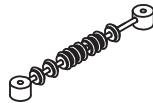
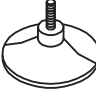

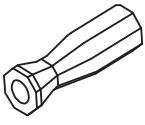






.Assembly Instructions . Parts List

WARNING:Choking Hazard--Toy contains small balls and/  
or small parts.Not for children under 3 years.

**IMPORTANT!**

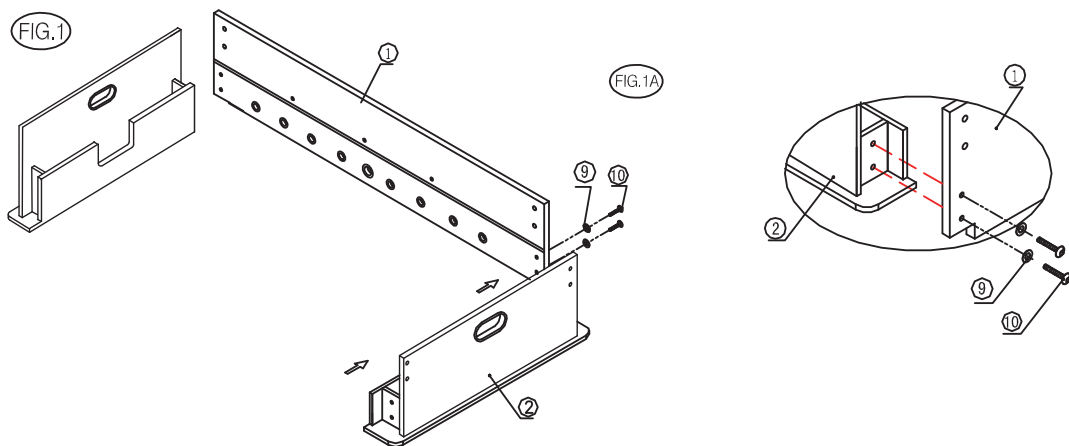
Please keep your instructions. Before attempting assembly, please read through this instruction book to familiarize yourself with all the parts and assembly steps. We recommend that two adults assemble the football table. Please refer to the parts list below and be sure that all parts have been included.

PARTS LIST					
1  SIDE BOARD 2EA	2  GOAL END BOARD 2EA	3  SOCCER PLAYFIELD 2EA	4  ALLEN WRENCH 1EA	5  SUPPORT BRACES 3EA	6  LEFT LEG 2EA
7  RIGHT LEG 2EA	8  8X35MM LEG BOLT 16EA	9  22X8.5MM WASHER 24EA	10  8X75MM BOLT 8EA	11  GOAL BOX 2EA	12  3.5 X 35MM WASHER HEAD SCREW 8EA
13  3.5X12MM WASHER HEAD SCREW 16EA	14  3.5X12MM FLAT HEAD SCREW 6EA	15  1&3 PLAYER ROD 4EA	16  2 PLAYER ROD 2EA	17  5 PLAYER ROD 2EA	18  18X6.5MM WASHER 6EA
19  PLAYER (WHITE) 11EA	20  PLAYER (BLUE) 11EA	21  4X23MM ROUND HEAD SCREW 26EA	22  NUT 26EA	23  LATCHES 2EA	24  STOP RING 4EA
25  RUBBER BUMPER 16EA	26  BALL ENTRY CUP 2EA	27  SCORER 2EA	28  LEG LEVELER 4EA	29  SOCCER BALL 2EA	30  HAND GRIP 8EA
31  END CUP 8EA	32  CORNER 4EA	33  CHROME BAR 2EA	34  6X40MM BOLT 6EA		

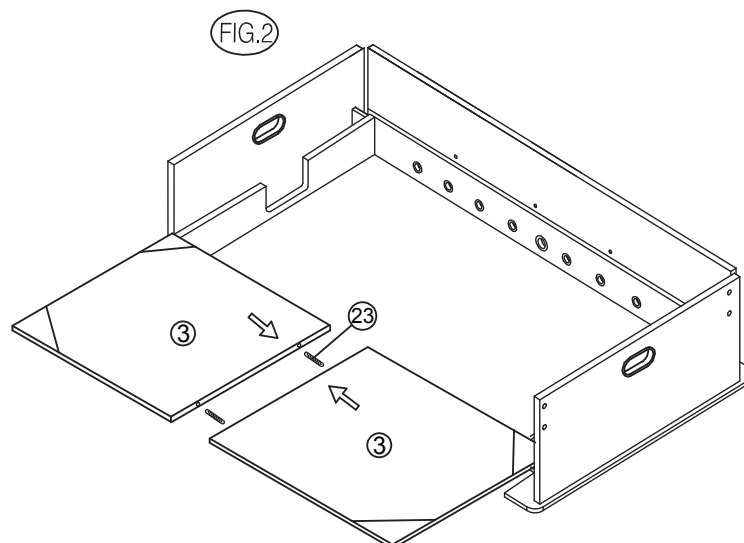
## ASSEMBLY INSTRUCTIONS:

We recommend that two adults work together to assemble this game.

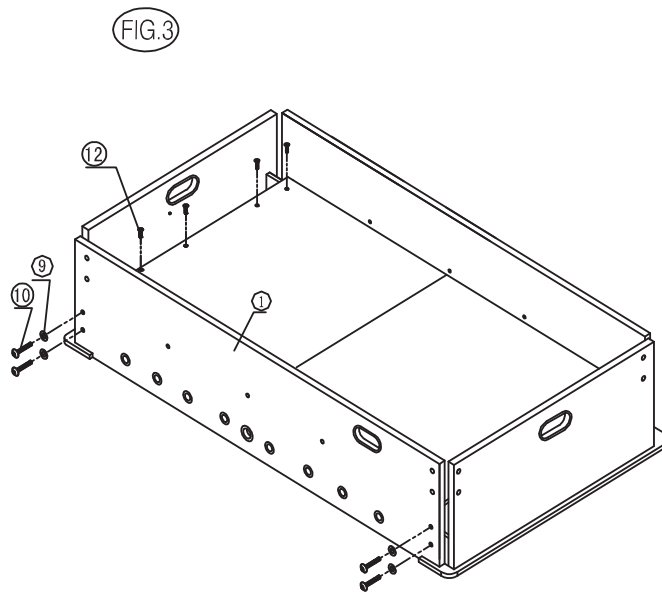
- 1) Open the 2 cartons of your new football table close to the place where you are actually going to use the table.
- 2) Remove all the contents from inside the cartons and verify that you have all the listed parts as shown on the parts list. We suggest that you use the bottom carton as a clean flat working area to protect the table. Carefully cut or tear the four carton corners from the largest carton so that the bottom carton is now your work area.
- 3) Attach one goal end board (#2) between the side board (#1) using two bolts (#10) and two washers (#9) per side as shown in FIG 1 and 1A.  
NOTE: Do not tighten the screws too fast now, in a later step you will have to do so.



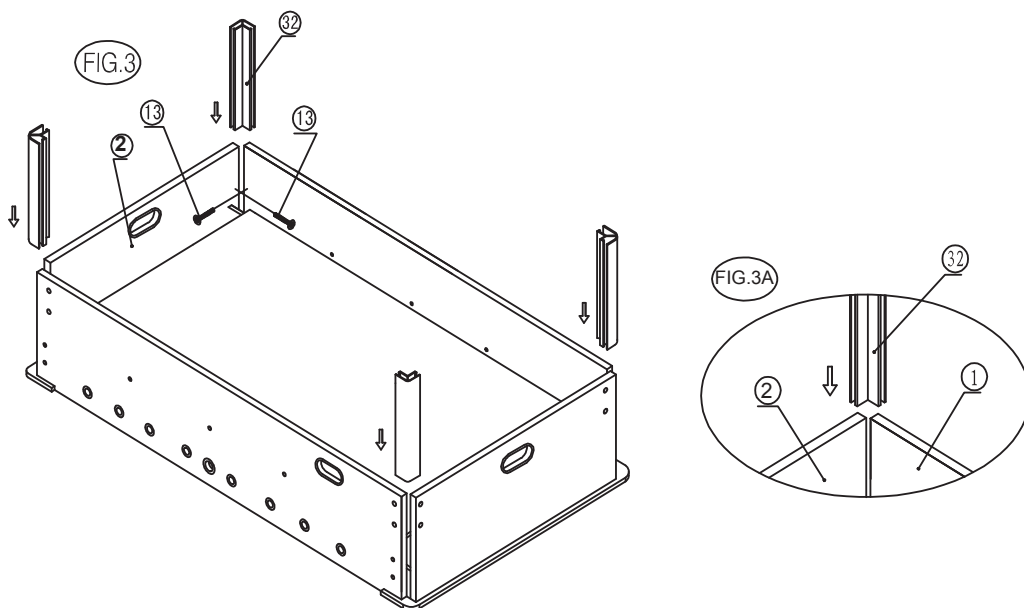
- 4) Repeat the step to attach the other goal end board (#2) to side board (#1), as shown in FIG 2.  
NOTE: Be sure that two side boards (#1) and goal end boards (#2) are square. Now tighten all the connections from step 3 and 4.



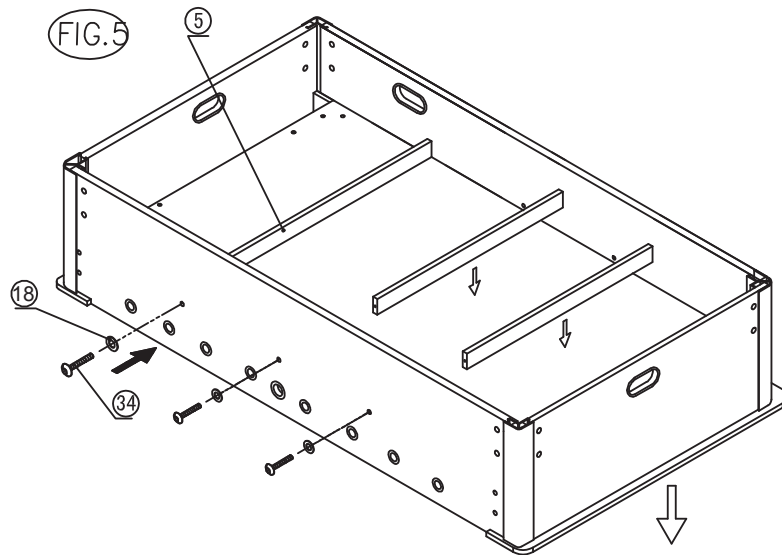
- 5) Connect two half of the soccer playfield(#3) by using two Latches(#23) See FIG.3A.
- 6) Fix the soccer playfield (#3) on the Side Board(#1) and goal end boards (#2) using twenty washer head screws(#12) as shown in FIG.3.



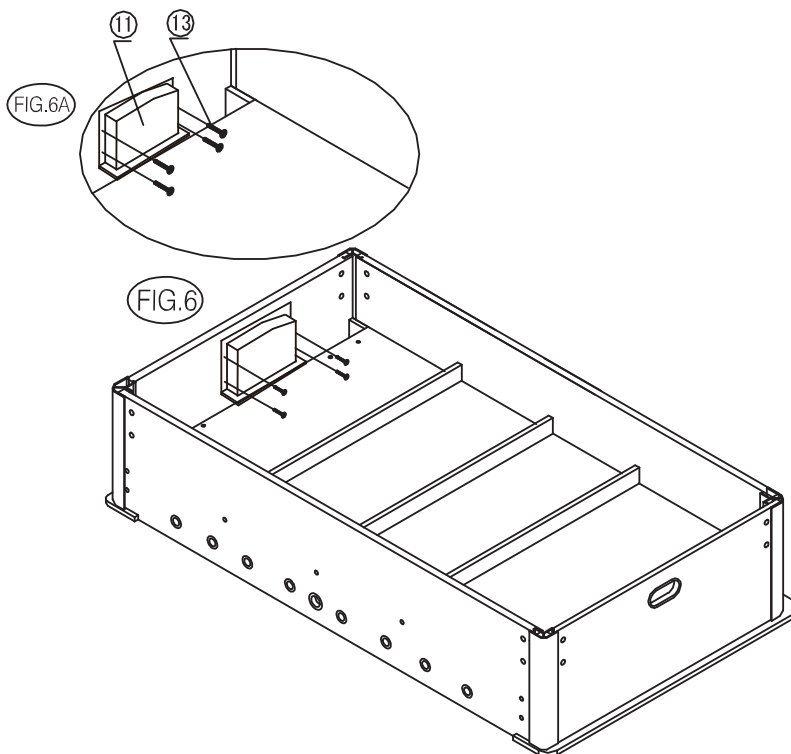
- 7) Slide the four corners (#32) into the groove of the side Board(#1) and end Board (#2), Fix the Corners (#32) to the Boards by using two Screws (#13) per Corner as shown in FIG 3A .



8) Place the support braces (#5) on the playfield (#3) as shown in FIG.5. Then place the support rods (#18) in the groove of the support braces (#5), attach them using six of the support rod nuts (#34) as shown in FIG 5 and 5A.

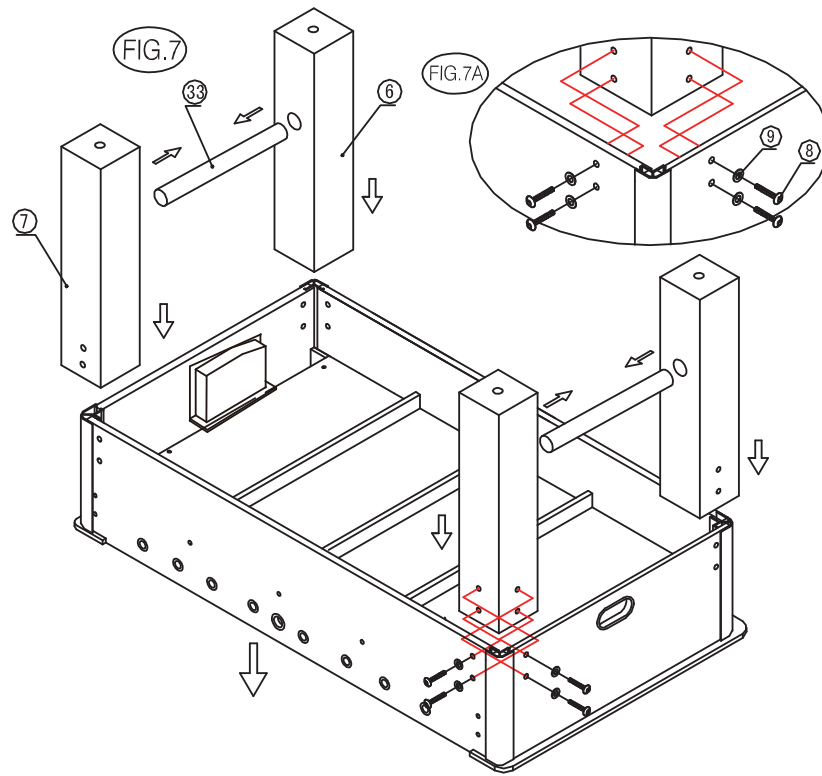


9) Attach the two goal boxes (#11) to the End boards (#2) using four washer head screws (#13) per goal box (#11) as shown in FIG.6A.

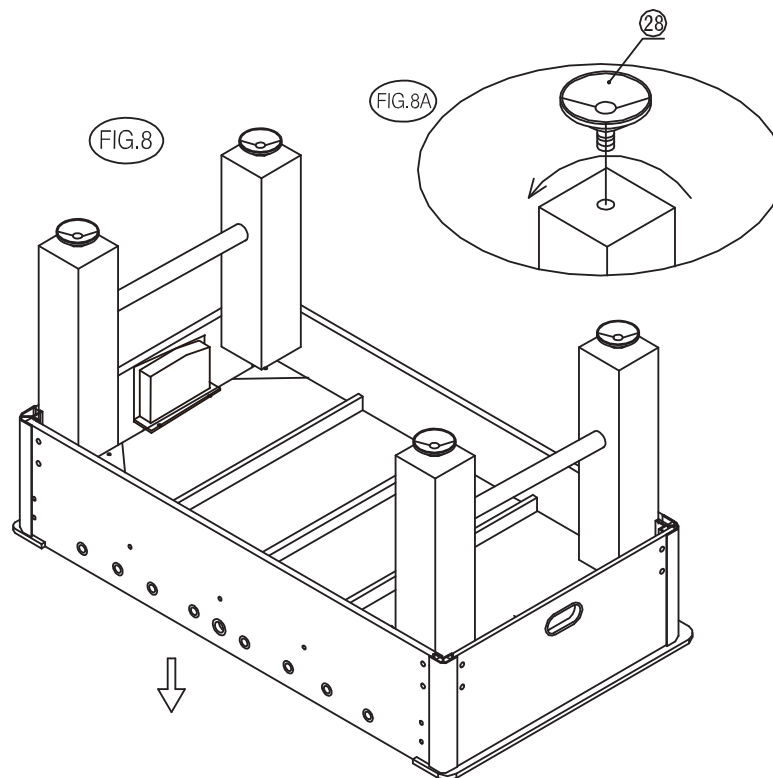


10) Attach the left leg (#6) and the right leg (#7) with the chrome bar (#33) between them to the football table using four leg bolts (#8) and four washers (#9) per leg as shown in FIG 7 and 7A.

NOTE: If you are having trouble inserting the leg bolts (#8), you may have to go back to step 3 and loosen the bolts (#10) a little.

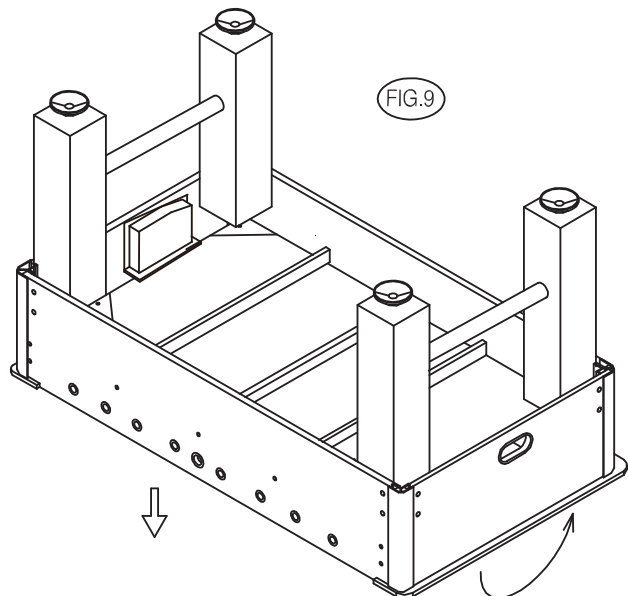


11) Locate the leg levelers (#28) and screw one into each leg as shown in FIG 8 and 8A.

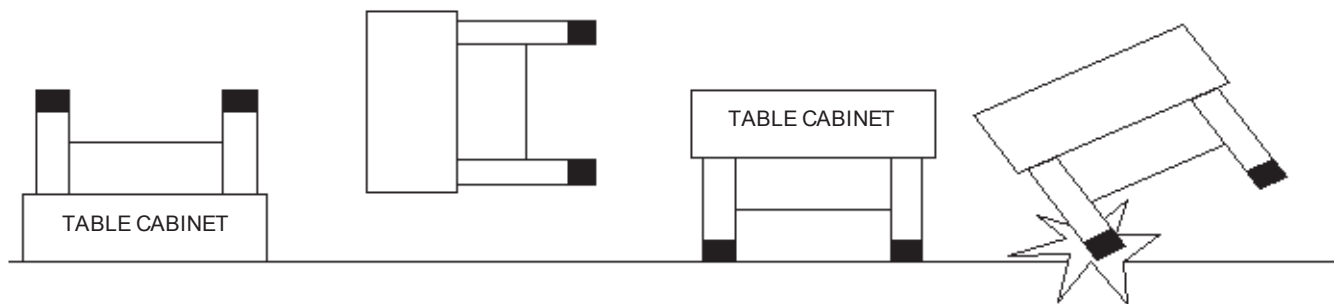


12) Lift the table assembly from the floor with two strong adults, turn it over, and set the table on its legs in the location where you will play the game.

NOTE: Do not hold the legs! You should pick up the table at the table cabinet! as shown in FIG 9



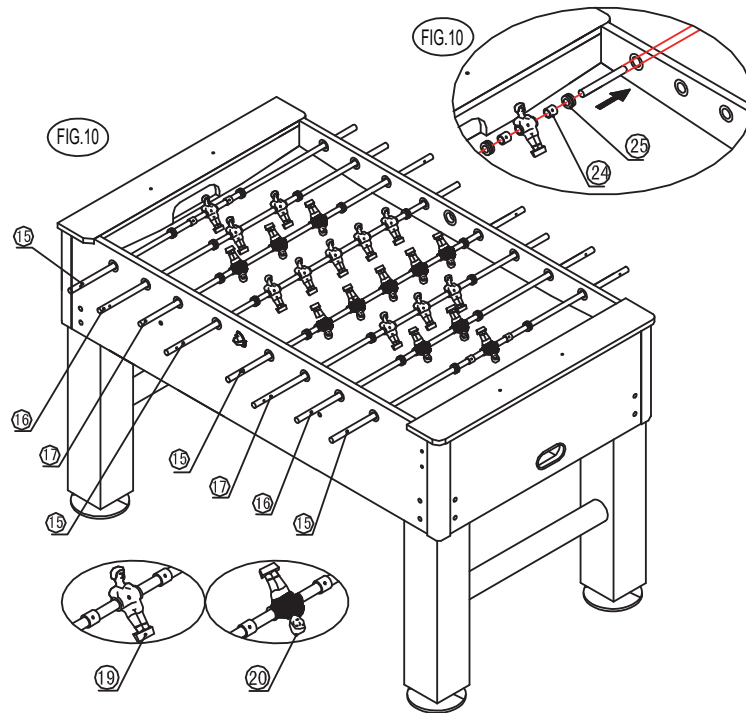
**CAUTION:** Two strong adults are needed to flip the table as shown.  
1. Pick up the table, one adult on each end. Do not hold the legs! You should pick up the table at the table cabinet!  
2. Turn the table over.  
3. Place it on all four feet at the same time on the ground.



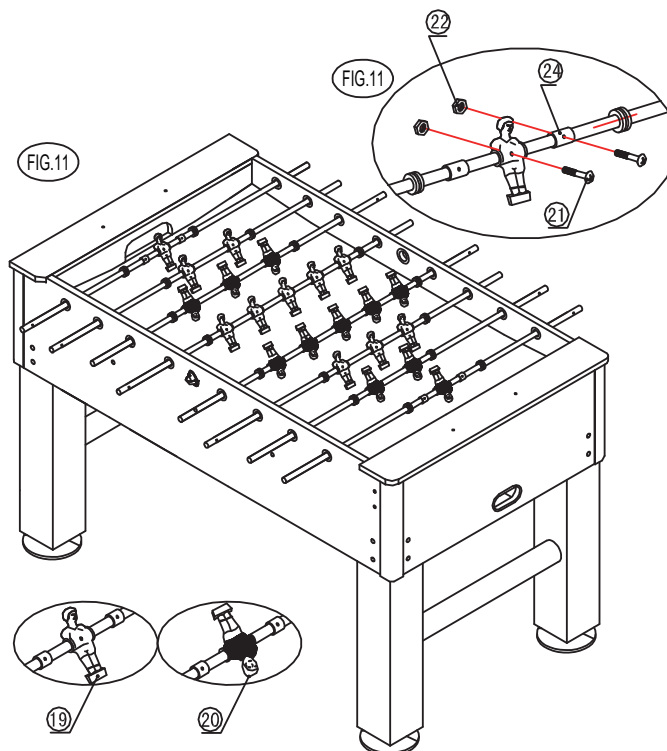
13) Now check if all the connections, which are made in the previous steps, are tightened.

14) Slide one player (#19 or #20) in the middle and one stop ring (#24) and one rubber bumper (#25) on each side of the player onto the two 1 player rods (#15). See FIG.10 and 10A.

Slide rubber bumper (#25) and players (#19 or #20) onto player rods (#15, #16 and #17)  
See FIG.10 and 10A.

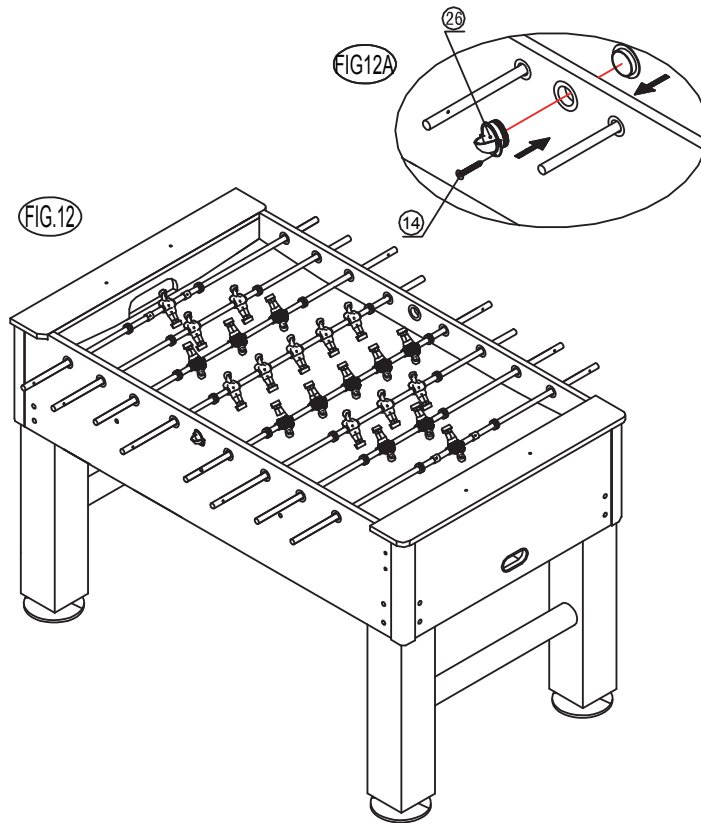


15) Use one round head screw (#21) and one nut (#22) per stop ring (#24) and player (#19 or #20) as shown in FIG 11 and 11A.

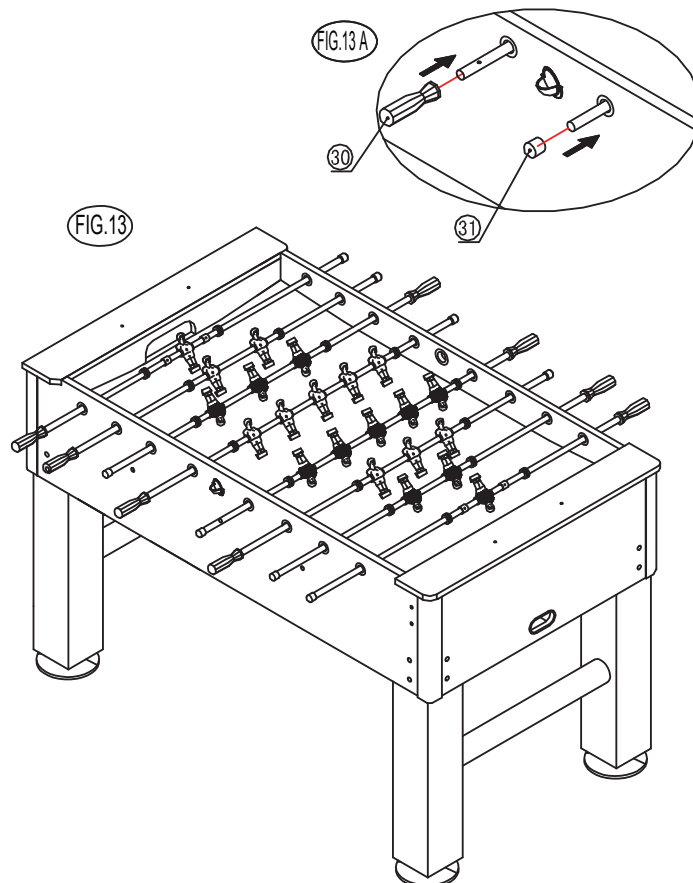




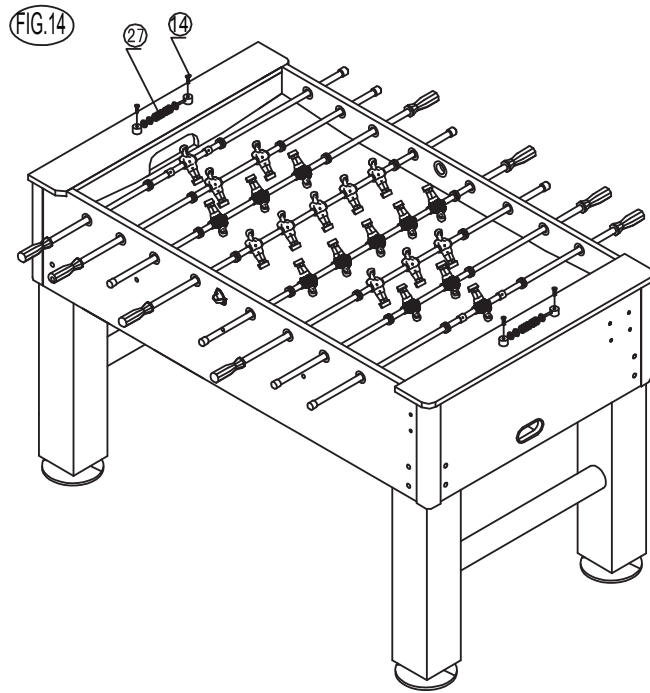
16) Attach the two ball return cups (#26) to the side boards (#1) using one flat head screw (#14) per side. See FIG.12 and 12A.



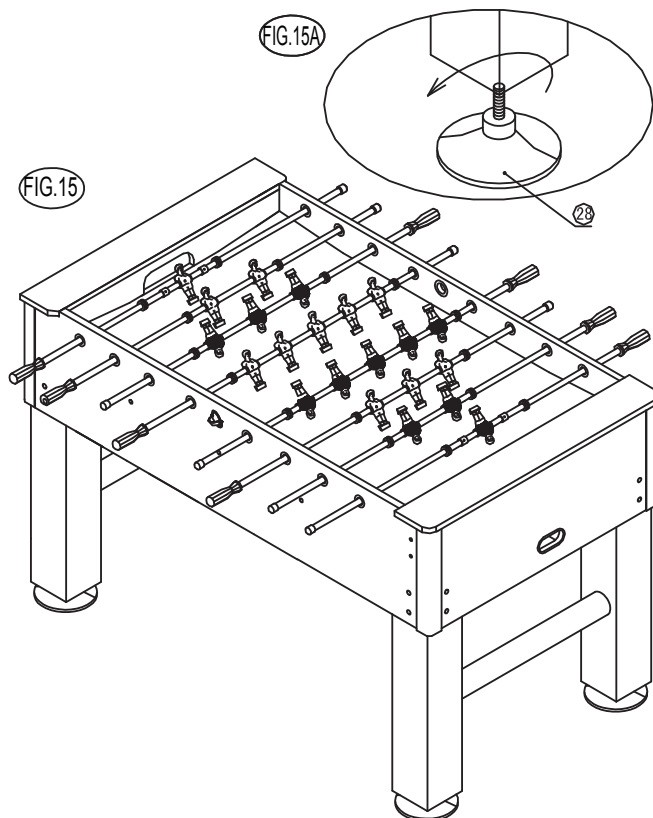
17) Slide the hand grips (#30) and end caps(#31) onto the player rods.  
TIP:To make the Handles easier to attach, spray a little window cleaner on the rod ends prior to installation and gently hammer it with a wooden hammer onto the player rods. See FIG.13 and 13A.



18) Attach the two scorers (#27) to the end boards (#2) using two flat head screws (#14) per scorer. See FIG. 14 .



19) If the table is not leveled you can adjust the leg levelers (#28) one by one till the table is exactly level. See FIG. 15 and 15A.



THE GAME ASSEMBLY IS COMPLETE.  
YOU ARE NOW READY TO PLAY

