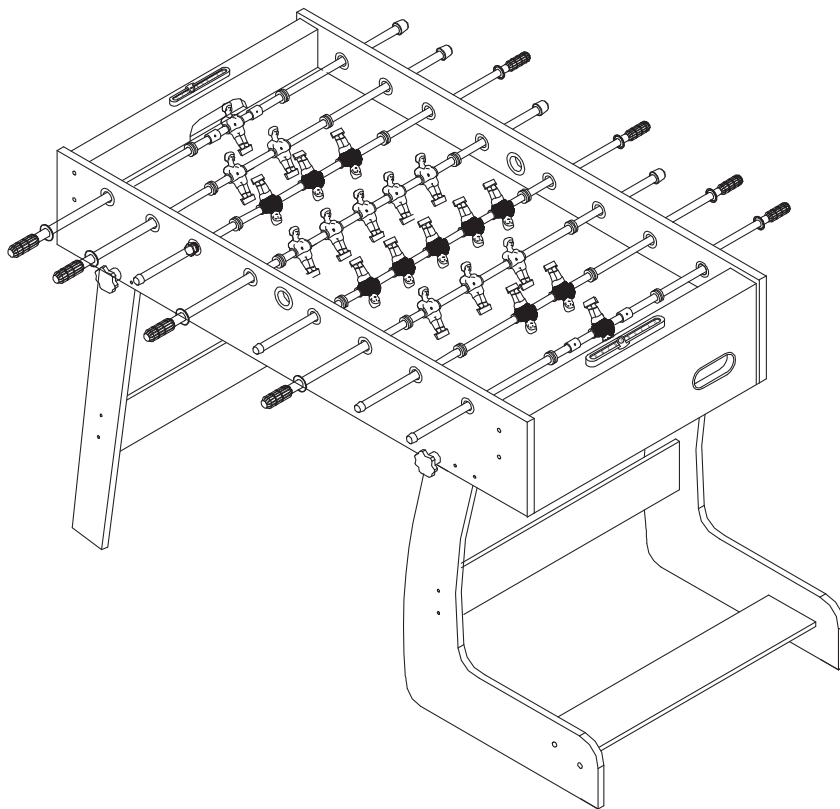



ASSEMBLY INSTRUCTION

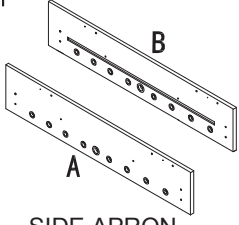
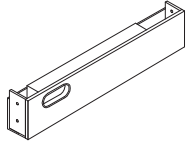
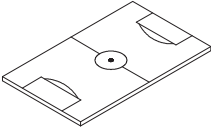
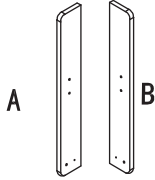
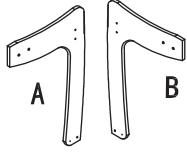
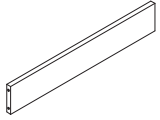
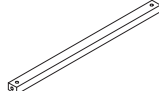
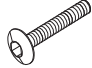


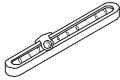
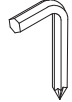





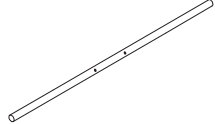
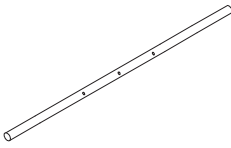
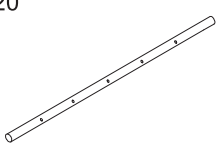




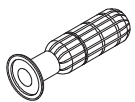


FUBTOLITOBREEZEEPLEG



 **WARNING: Choking Hazard--Toy contains small balls and/or small parts. Not for children under 3 years.**

IMPORTANT!

Please keep your instructions. Before attempting assembly, please read through this instruction book to familiarize yourself with all the parts and assembly steps. We recommend that two adults assemble the football table. Please refer to the parts list below and be sure that all parts have been included.

PARTS LIST					
1  SIDE APRON 2EA	2  END APRON 2EA	3  SOCCER PLAYFIELD 1EA	4  LEG 2EA	5  LEG 2EA	6  END LEG BRACE 3EA
7  UPPORT BRACE 2EA	8  6X35MM BOLT 12EA	9  18X6.5MM WASHER 16EA	10  3.5 X 35MM WASHER HEAD SCREW 16EA	11  SCORER 2EA	12  ALLEN WRENCH 1EA
13  M6 NUT 4EA	14  WRENCH 1EA	15  6X30MM WING BOLT 4EA	16  3.5X18MM ROUND HEAD SCREW 26EA	17  2 PLAYER ROD 2EA	18  2 PLAYER ROD 2EA
19  3 PLAYER ROD 2EA	20  5 PLAYER ROD 2EA	21  PLAYER 11EA	22  PLAYER 11EA	23  STOP RLNG 4EA	24  RUBBER BUMPER 16EA
25  HAND GRIP 8EA	26  END CAP 8EA	27  SOCCER BALL 2EA			

ASSEMBLY INSTRUCTIONS:

We recommend that two adults work together to assemble this game.

- 1) Open the carton of your new football table close to the place where you are actually going to use the table.
- 2) Remove all the contents from inside the cartons and verify that you have all the listed parts as shown on the parts list. We suggest that you use the bottom carton as a clean flat working area to protect the table. Carefully cut or tear the four carton corners from the largest carton so that the bottom carton is now your work area.

FIG.1.

3) Attach one End Apron (#2) between Side Aprons (#1). Secure with two of Leg Bolts (#8) and two of Washers (#9) per side apron, screw them through Side Aprons into End Apron. NOTE: Leave connections loose - Do not tighten screws securely at this time.

4) Locate Playfield (#3) and slide the Playfield with graphics facing down as shown in FIG.1. If the field does not slide smoothly, check to be sure you have not over tightened any screws or the playfield is not caught by the slot.

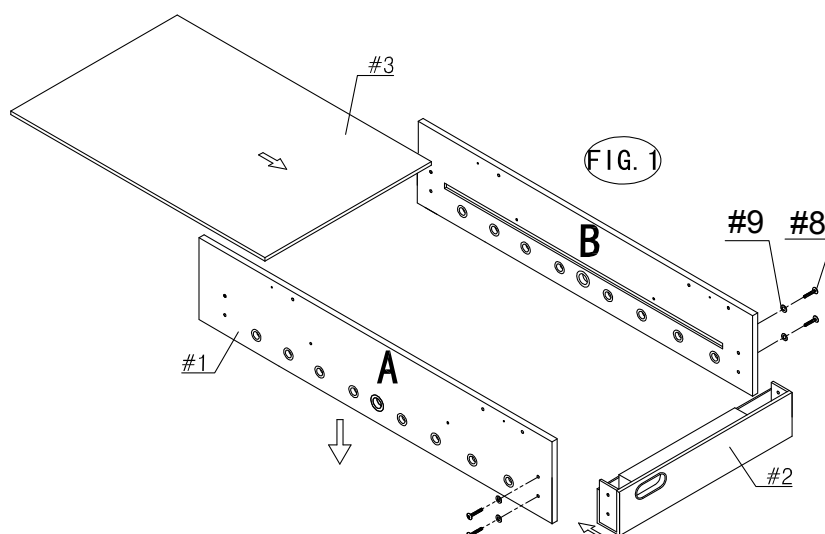


FIG.2.

5) Repeat the step to attach the other End Apron (#2) to the Side Aprons (#1). Center the playfield between the two end aprons, and make sure that the playfield is in the grooves of the side aprons and end aprons. NOTE: Be sure that two side aprons and end aprons are square. Now go back and tighten all the connections.

6) Place the Support Brace (#7) on the Playfield (#3) as shown in FIG.2. Attach it using four of Washer Head Screws (#10).

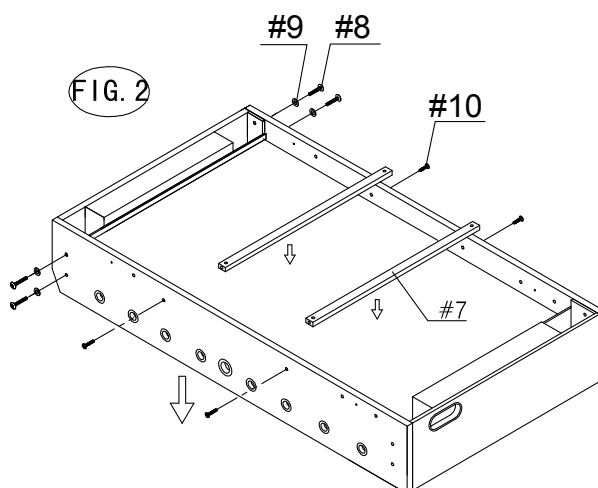


FIG.3.

7) Attach the (#4) and (#5) Legs to the Cabinet using one of Bolts (#8), two of Washers (#9),one of Nut (#13),one of Wing Bolt (#15) per Leg as shown in FIG 3 and 3-1.

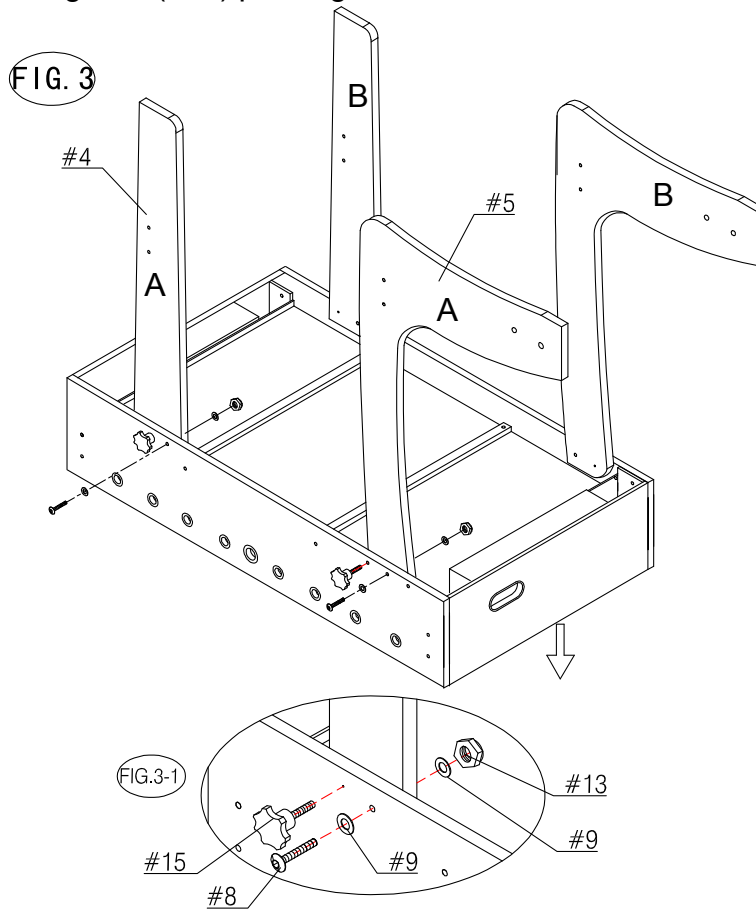
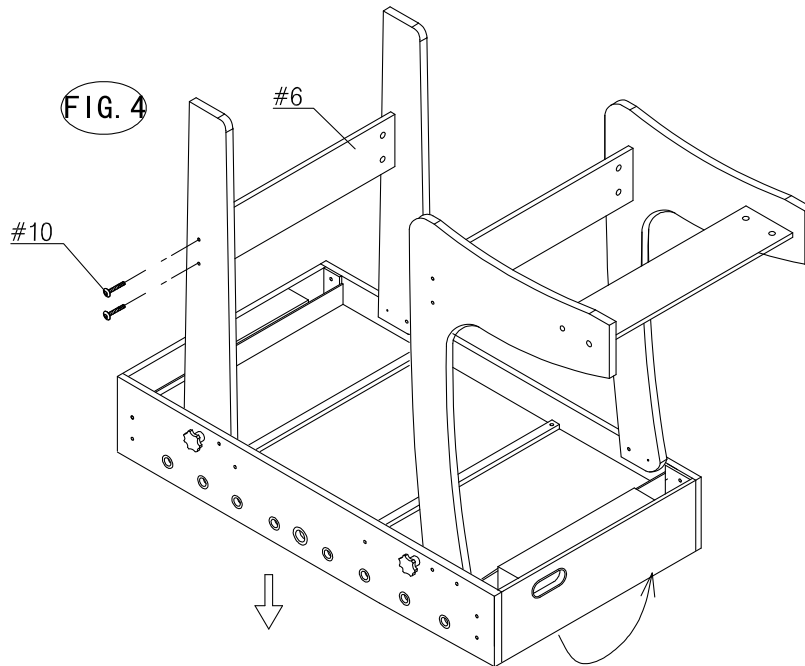


FIG.4.

8) attach the three End Leg Braces (#6) to the Legs (#4 & #5) using Washer Head Scen (#10) .See FIG.4.

9) Lift the table assembly from the floor with two strong adults,turn it over,and set table on its legs in the location where you will play.Go back and make sure that all connections are tight.



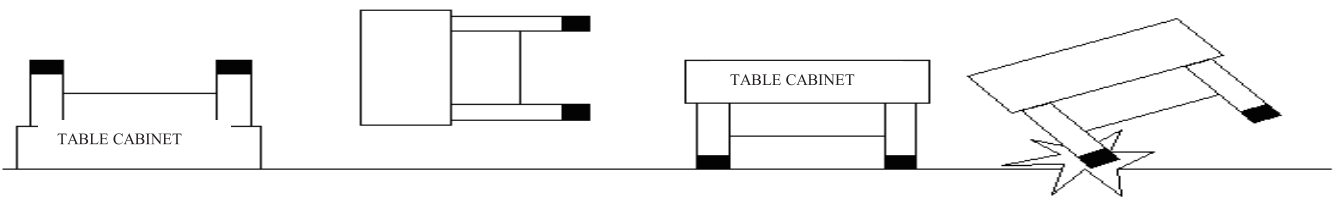


FIG.5.

10) Attach the player rods (#17 - #20) into the side aprons as shown in Fig .5-1. Attach rubber bumper (#24) to the player rod, followed by the players (#21 & #22) and another rubber bumper (#24). For the two goalie player rods an additional stop ring (#23) will be needed to be added between the goalie.

11) Attach Stop Rings (#23) and Players (#21 & #21) to the player rods using Round Head Screws (#16) as shown in Fig.5-2.

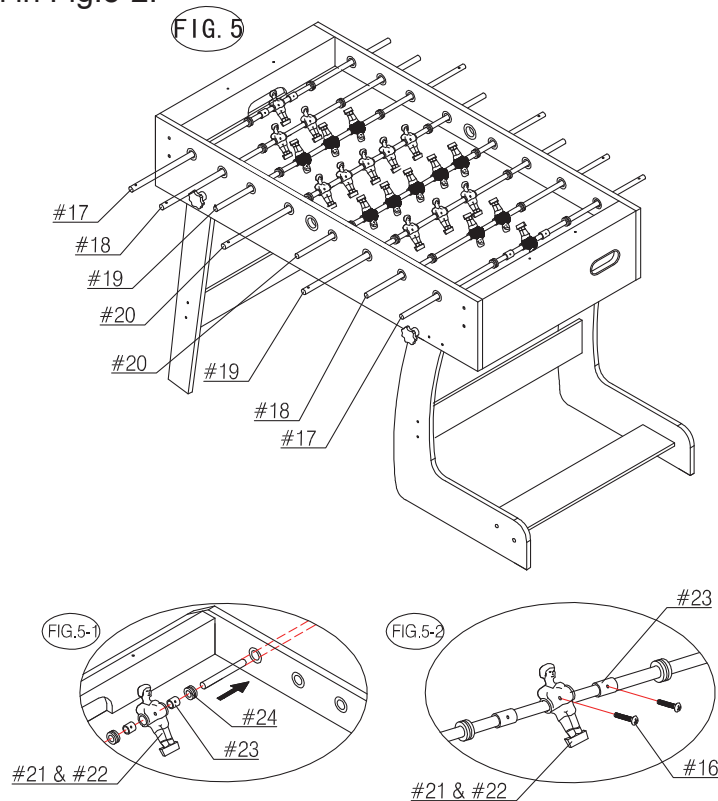
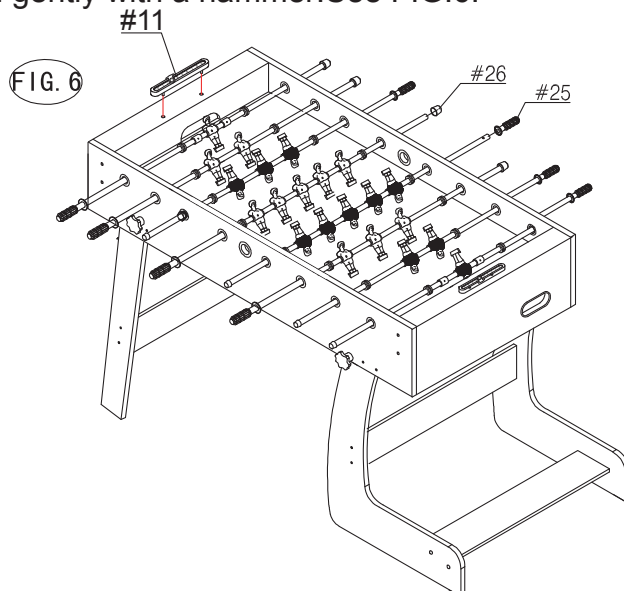


FIG.6.

12) Attach the two Scorers (#11) to the End Aprons See FIG.6.

13) Put the Hand Grips (#25) and the End Caps (#26) on the player rods in order. NOTE: To make the Handles easier to attach, spray a little window cleaner on the rod ends prior to installation and tap on gently with a hammer. See FIG.6.



**THE GAME ASSEMBLY IS COMPLETE.
YOU ARE NOW READY TO PLAY**

FIG 7

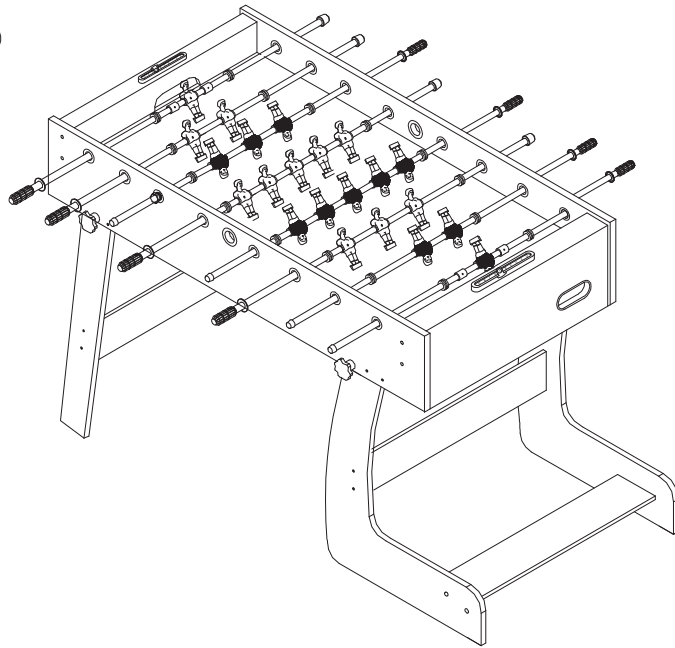


FIG.8.

4) Loosen the Wing Bolts (#15) on both sides, fold the table. See FIG.8-1. Then insert the Locking Pins into the holes per Side.as shown in FIG.8-2.

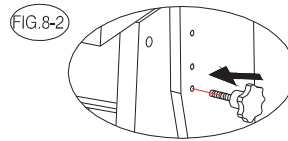
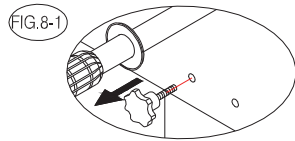


FIG. 8

⚠ WARNING:
!keep distance from
the Football Table Rod
while fold up!

