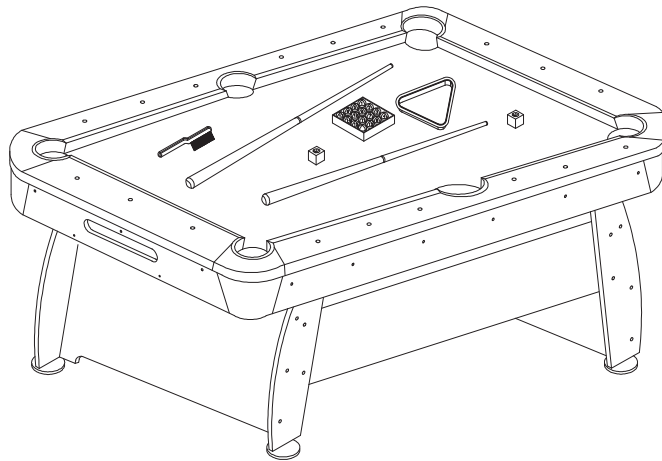


TABLE BILLIARD

Model#SUB-10860R



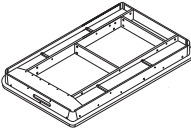

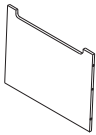
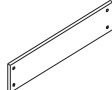

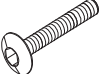



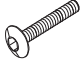


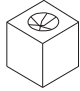

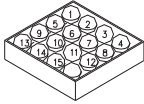

.Assembly Instructions

.Parts List



WARNING:Choking Hazard--Toy contains small balls and/or small parts.
Not for children under 3 years.

IMPORTANT!

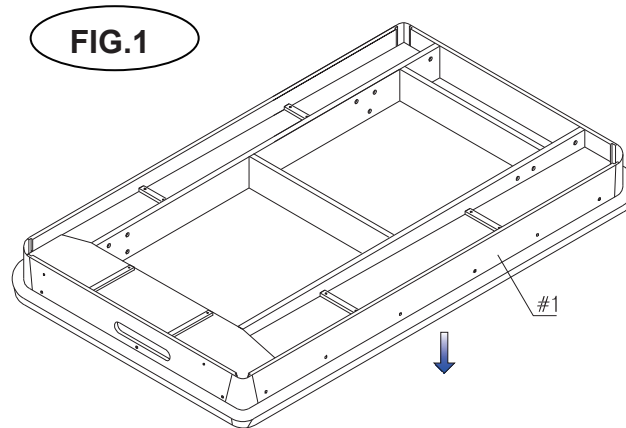
1  CABINET FOR BILLIARD 1EA	2  LEG 4EA	3  END LEG BRACE 2EA	4  SIDE LEG BRACE 2EA	5  ALLEN WRENCH 1EA
6  8X50MM LEG BOLT 12EA	7  22X8.5MM WASHER 12EA	8  6X45MM LEG BOLT 8EA	9  18X6.5MM WASHER 20EA	10  6X50MM LEG BOLT 12EA
11  LEG LEVELER 4EA	12  CUE STICK 2EA	13  CHALK 2EA	14  TRIANGLE RACK 1EA	15  BILLIARD BALLS 1SET
16  BRUSH 1EA				

ASSEMBLY INSTRUCTIONS:

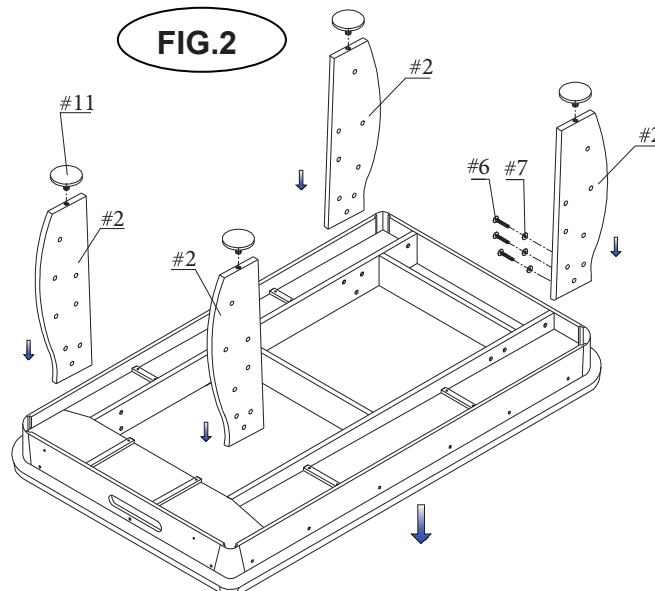
We recommend that two adults work together to assemble this game.

Step 1 - Open the carton of your new table game near where you will play. Select a clear level floor. This game requires at least two adults to assemble the table.

Step 2 - Remove all the contents from inside the carton and verify that you have all listed parts as shown on the Parts List. NOTE: The player rods are pre-assembled. We suggest that you use the bottom carton as a clean flat working area to protect the game. Carefully cut or tear the four carton corners so that the bottom is now your work area.



Step 3 - Attach the Legs (#2) to the support frame using three of the Washers (#7) and three of Leg Bolts (#6) per leg. Then locate the four Leg Levelers (#11) and screw one into each Leg. See FIG.2.

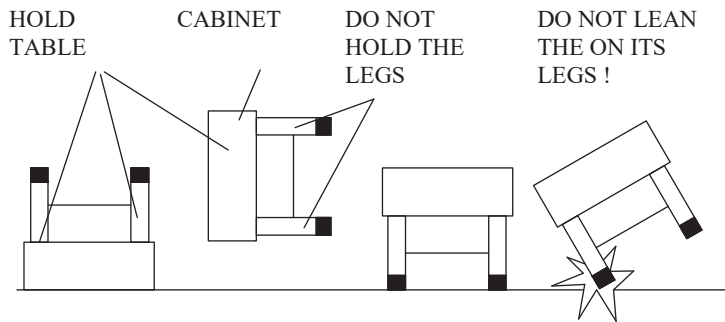
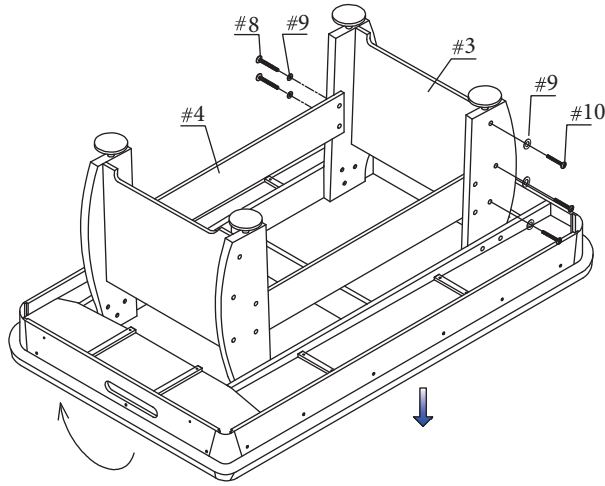


Step 4 - Attach the two End Leg Braces (#3) to the Legs using three of the Washers (#9) and three Screw (#10) Leg. See FIG.3.

Step 5 - Attach the two Side Leg Braces (#4) to the Legs using two of the Washers (#9) and two of the Leg Bolts (#8) per Leg. See FIG.3.

Step 6 - At this point two adults should carefully lift the game upright and position it where the game will be played.

FIG.3



Step 7 - Place a carpenter's level in various positions on the playing surface to determine where Leveling adjustments may be needed and adjust the leg levelers as needed to ensure that the table is level.

Great job! you have completed the assembly of the POOL Table.
Wishes you great times and wins"

FIG.4

