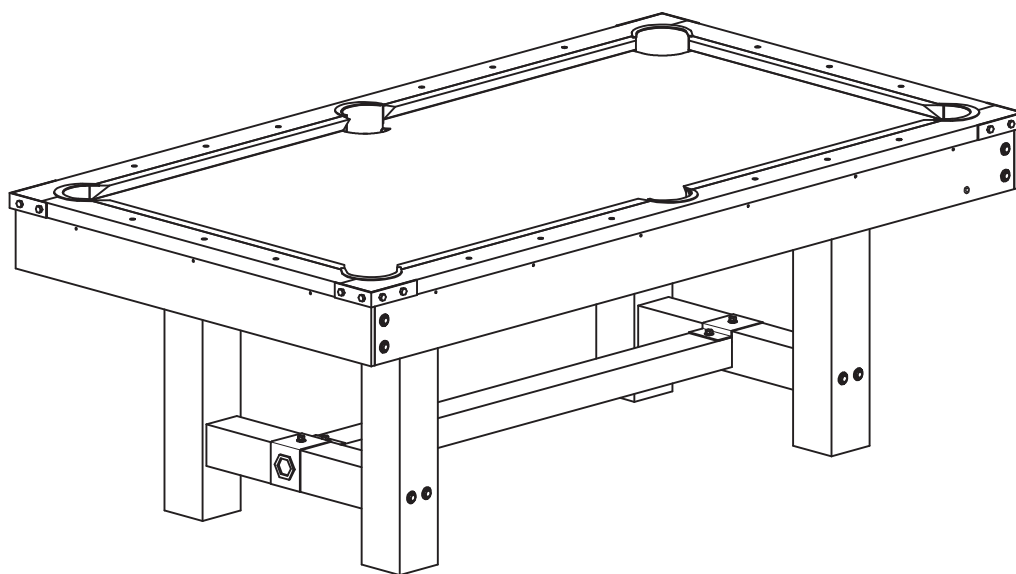


# TABLE BILLIARD

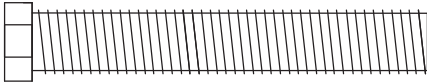
SUM-9652A-1



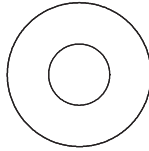
# HARDWARE IDENTIFIER (To Scale)



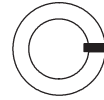
H1 - 8mm x 150mm Hex Head Bolt  
(8 pcs)



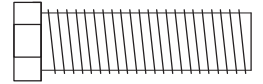
H2 - 8mm x 55mm  
Hex Head Bolt  
(16 pcs)



H3 - M8 Flat Washer  
(22 pcs)



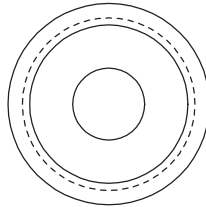
H4 - M8 Lock Washer  
(30 pcs)



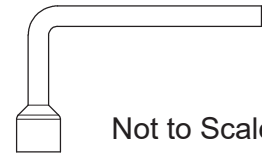
H5 - 8mm x 30mm  
Hex Head Bolt  
(6 pcs)



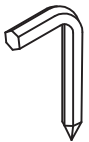
H6 - 3.5mm x 35mm  
Phillips Flat Head Screw  
(16 pcs)



H7-Decorative covers  
(8 pcs)



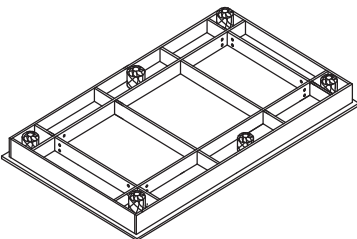
T1 - Socket Head Wrench  
(1 pc)  
(Not to Scale)



(Not to Scale)

T2 - Allen Wrench  
(1 pc)

# PARTS IDENTIFIER (Not to Scale)



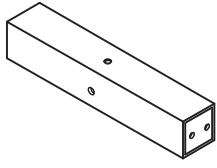
P1 - Main Cabinet  
(1 pc)



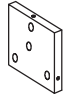
P2 -Left Leg  
(2 pcs)



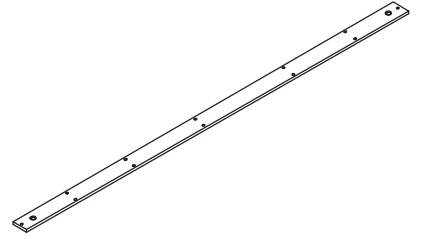
P3 -Right Leg  
(2 pcs)



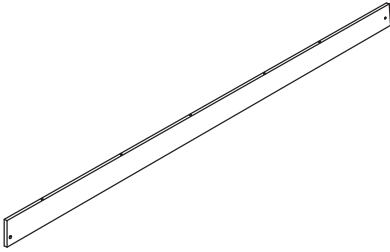
P4 -End Leg Block  
(2 pcs)



P5 -End Block  
(2 pcs)



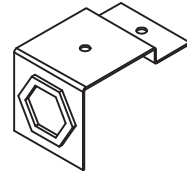
P6 -Top Panel of Lower  
Center Support Beam  
(1pc)



P7 -Side Panel of Lower  
Center Support Beam  
(2pcs)

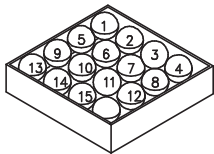


P8 -Leg Level  
(4 pcs)

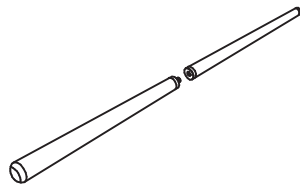


P9- Decorative Iron  
(2 pcs)

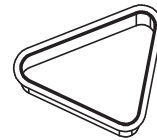
### ACCESSORIES IDENTIFIER (Not to Scale)



A1 - Billiard Ball Set  
(1 pc)



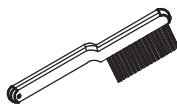
A2 -Pool Cue  
(2 pcs)



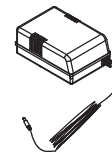
A3 - Triangle  
(1 pc)



A4 - Cue Chalk  
(2 pcs)



A5 - Playfield Brush  
(1 pc)



A6 - AC/DC Adapter

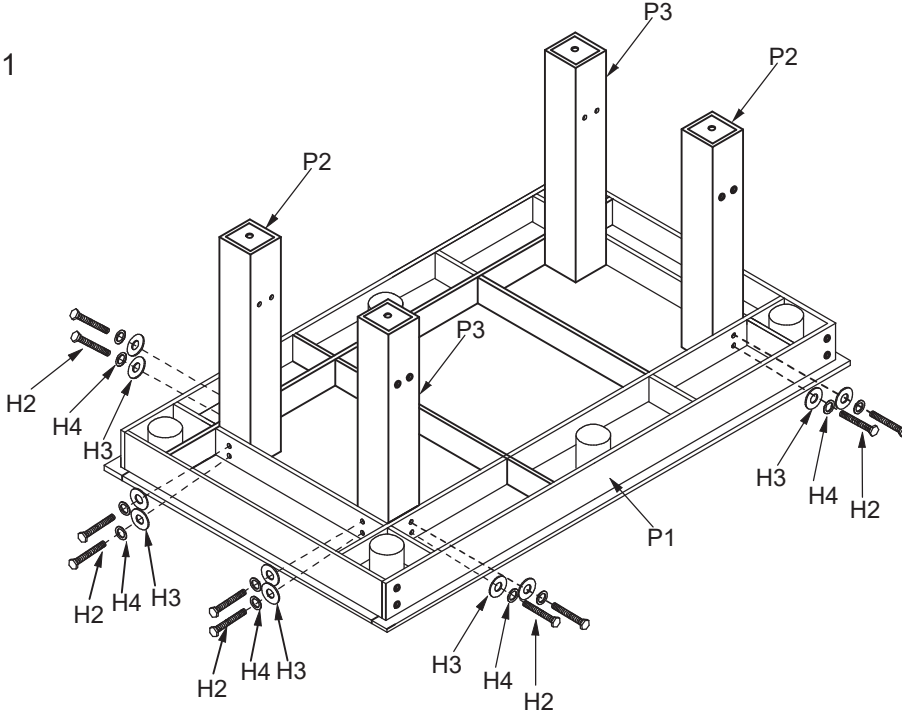
**PARTS REQUIRED**

- 1pc - P1 Main Cabinet
- 2pcs - P2 Left Leg
- 2pcs - P3 Right Leg

- 16pcs - H2 Hex Head Bolt
- 16pcs - H3 Flat Washer
- 16pcs - H4 Lock Washer

**NOTE:** Please inspect all Bolt holes to insure they are clean and open.  
To best protect table, build this game table in the carton bottom tray it was packed in.

**STEP 1**

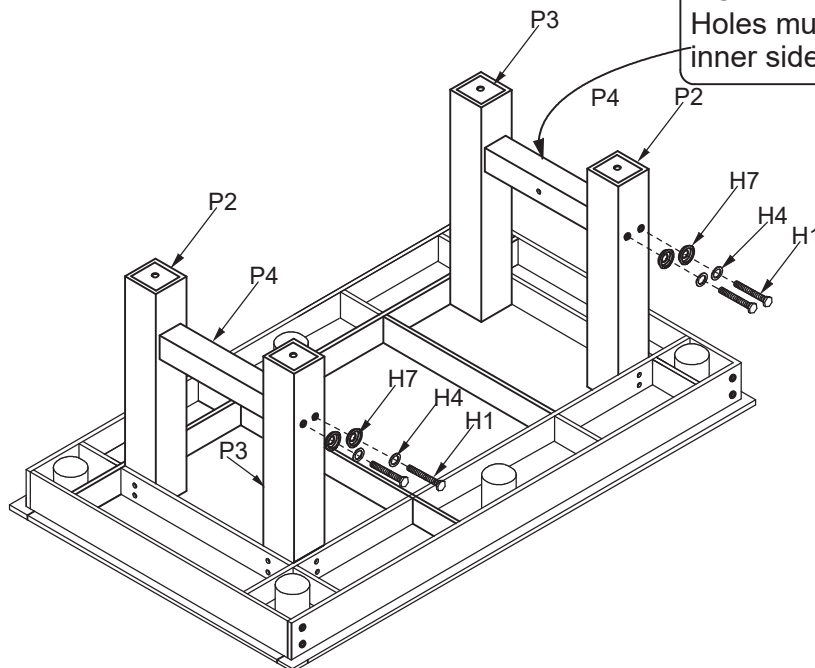


**PARTS REQUIRED**

- 2pcs - P4 End Leg Block
- 8pcs - H1 Hex Head Bolt

- 8pcs - H7 Decorative covers
- 8pcs - H4 Lock Washer

**STEP 2**



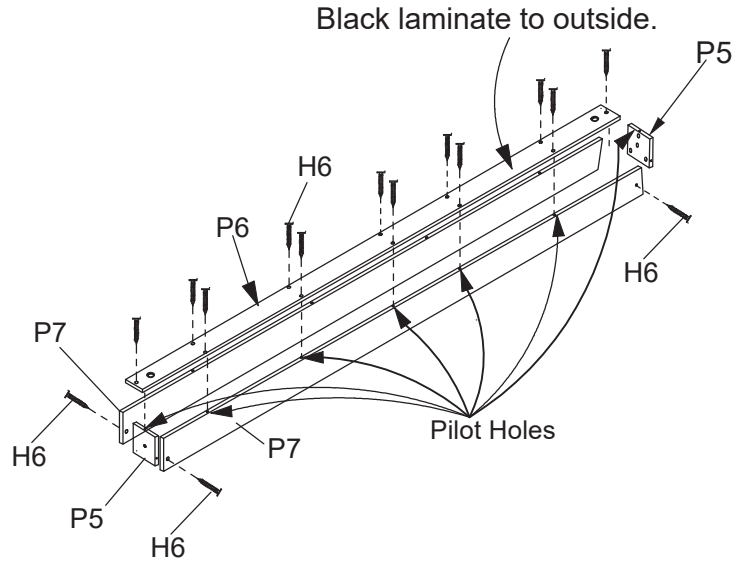
**NOTE:**  
Holes must be  
inner side.

**PARTS REQUIRED**

- 1pc - P6 Top Panel of Lower Center Support Beam
- 2pcs - P7 Side Panel of Lower Center Support Beam

- 2pcs - P5 End Block
- 16pcs - H6 Phillips Flat Head Screw

**STEP 3**

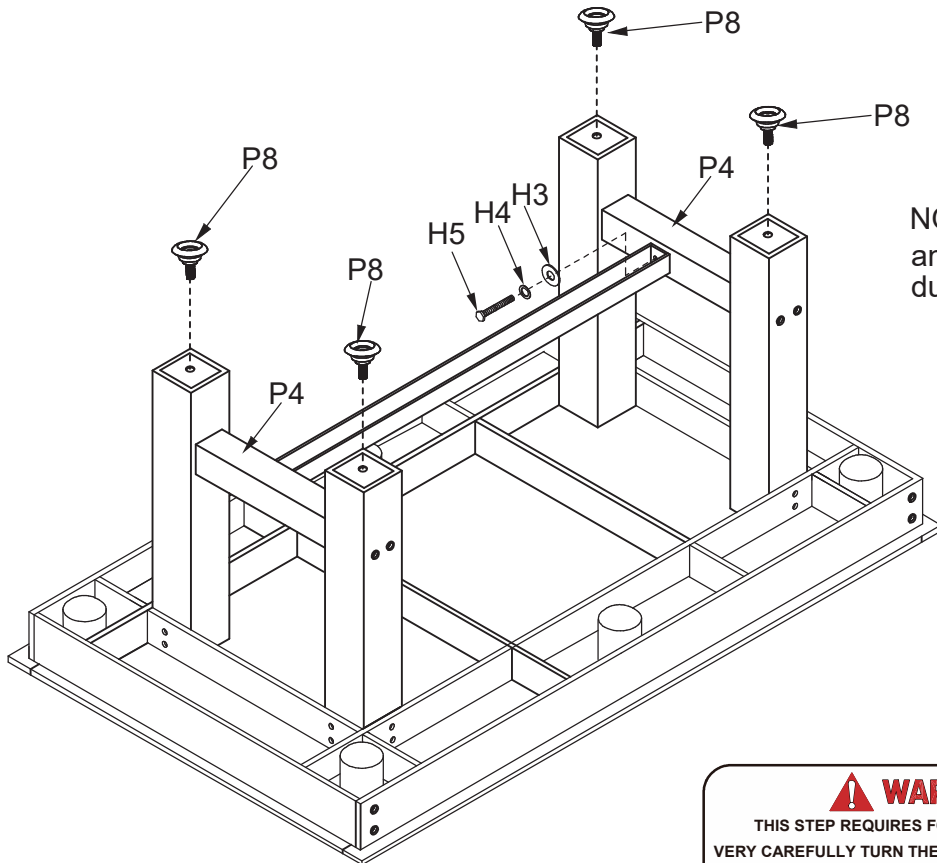


**PARTS REQUIRED**

- 4pcs - P8 Leg Leveler
- 2pcs - H3 Flat Washer

- 2pcs - H4 Lock Washer
- 2pcs - H5 Hex Head Bolt

**STEP 4**



**NOTE:** Will need another adult to hold during ssembly.

**WARNING:**

THIS STEP REQUIRES FOUR OR MORE ADULTS. VERY CAREFULLY TURN THE TABLE OVER AND SET IT ON ITS LEGS. BE CAREFUL. THE TABLE IS VERY HEAVY.

PARTS REQUIRED

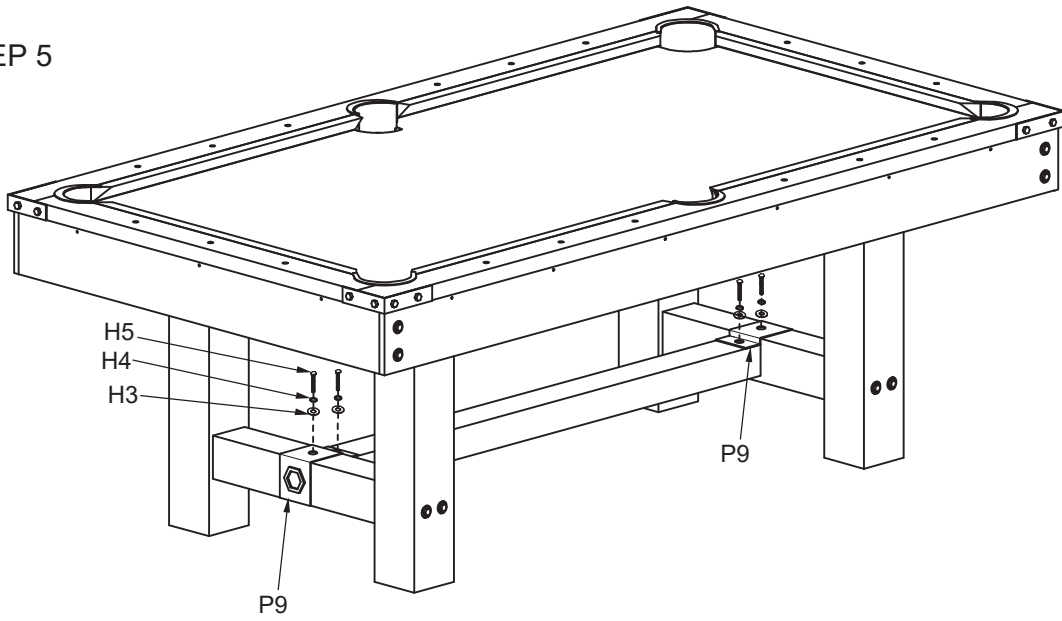
2pcs - P9 Decorative Iron

4pcs - H3 Flat Washer

4pcs - H4 Lock Washer

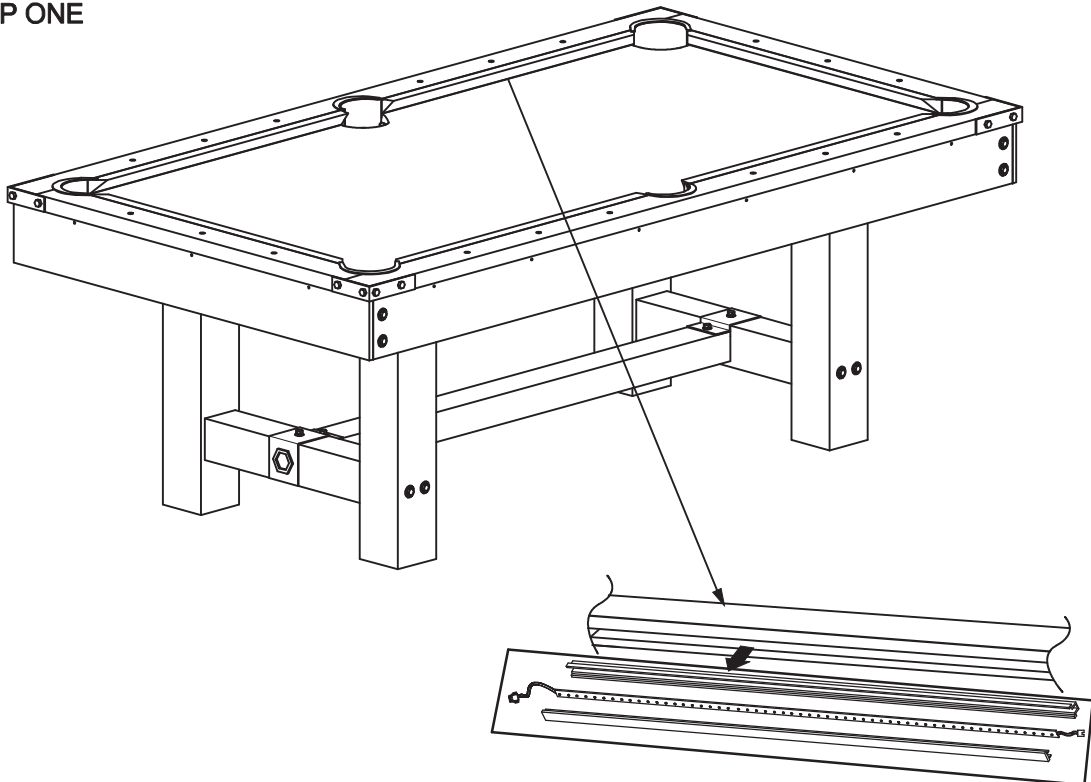
4pcs - H5 Hex Head Bolt

STEP 5

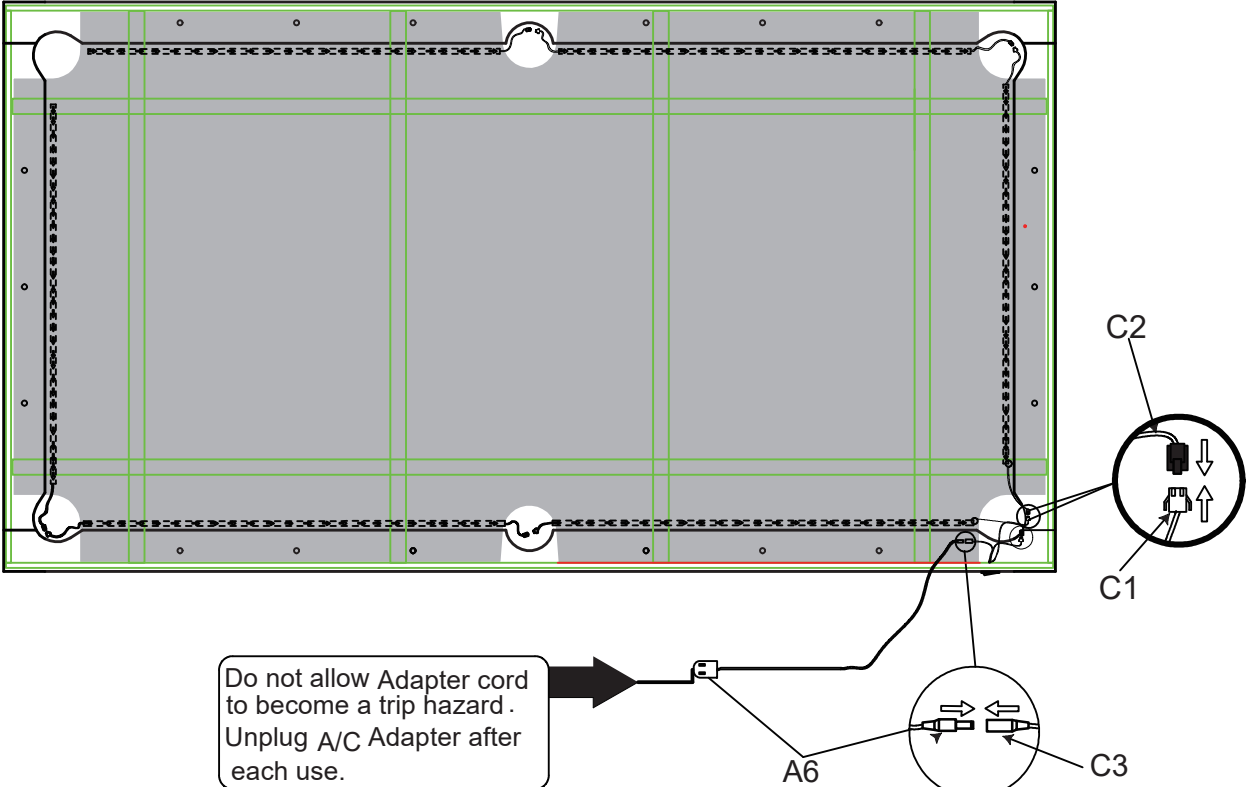


Replacement of LED Light Strip

STEP ONE



STEP TWO



Next, connect the A6 AC/ DC Adapter with C3 ON/OFF Switch Wire.