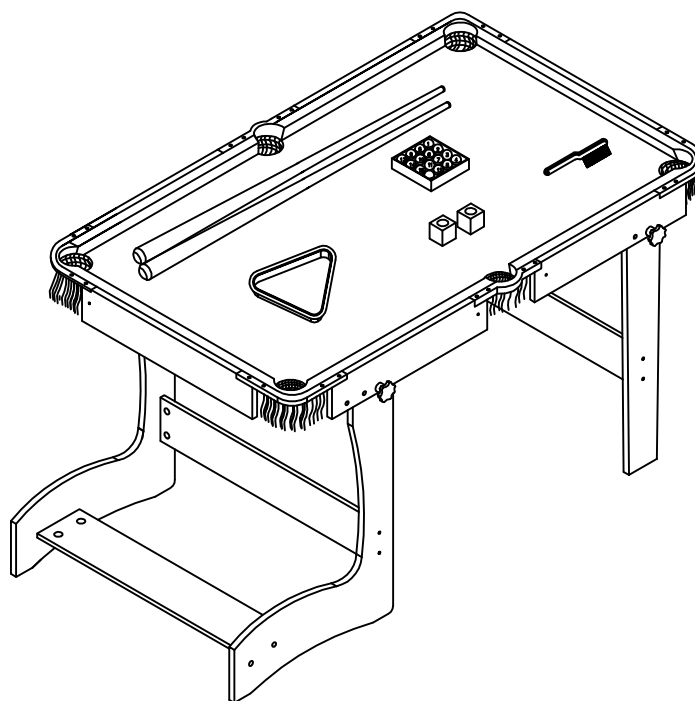



# TABLE BILLIARD

## MODEL#SUB-7236F



.Assembly Instructions

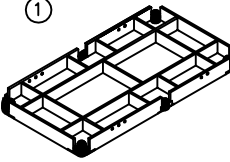
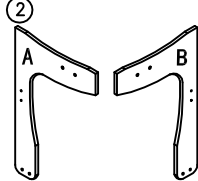
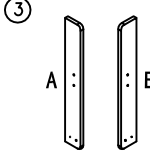
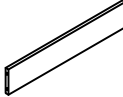












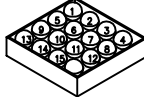

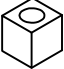


.Parts List

 **WARNING:** Choking Hazard--Toy contains small balls and/or small parts. Not for children under 3 years.

## IMPORTANT!

Please Keep Your Instructions. Before attempting assembly, please read through this instruction book to familiarize yourself with all the parts and assembly steps. We recommend that two adults assemble this game. Please refer to the Parts List below and be sure that all parts have been included.

## PARTS LIST

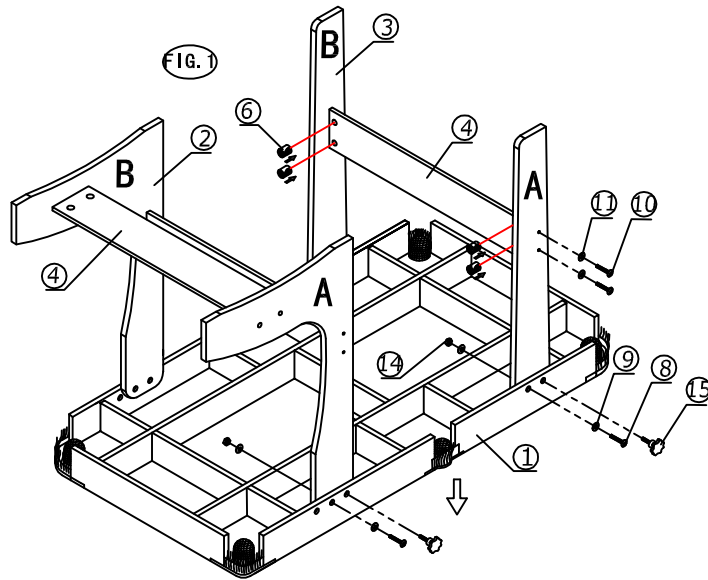
 <p>1</p> <p>BILLIARD TABLE ASSEMBLY 1EA</p>	 <p>2</p> <p>LEG 2EA</p>	 <p>3</p> <p>LEG 2EA</p>	 <p>4</p> <p>END LEG BRACE 3EA</p>	 <p>5</p> <p>WRENCH 1EA</p>	 <p>6</p> <p>CROSS BARREL NUT 12EA</p>
 <p>7</p> <p>3.5X18MM FLAT HEAD SCREW 24EA</p>	 <p>8</p> <p>8X40MM LEG BOLT 4EA</p>	 <p>9</p> <p>20X8.5MM WASHER 8EA</p>	 <p>10</p> <p>6X40MM LEG BOLT 12EA</p>	 <p>11</p> <p>18X6.5MM WASHER 12EA</p>	 <p>12</p> <p>BRACKET 2EA</p>
 <p>13</p> <p>CORNER POCKET BRACKET 4EA</p>	 <p>14</p> <p>PLAYER ROD BOLT 4EA</p>	 <p>15</p> <p>8X40MM WING BOLT 4EA</p>	 <p>16</p> <p>TRIANGLE RACK 1EA</p>	 <p>17</p> <p>BILLIARD BALL 1SET</p>	 <p>18</p> <p>CUE STICK 2EA</p>
 <p>19</p> <p>CHALK 2EA</p>	 <p>20</p> <p>BRUSH 1EA</p>	 <p>21</p> <p>ALLEN WRENCH 1EA</p>			

**ASSEMBLY INSTRUCTIONS:**  
We recommend that two adults work together to assemble this game.

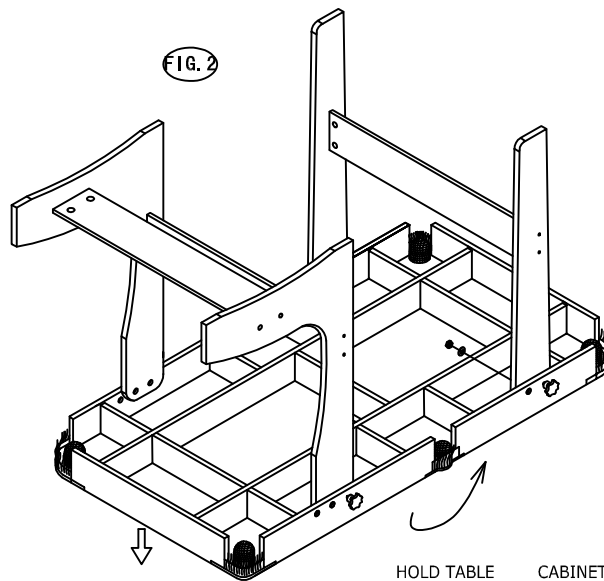
Step 1 - Place the pre-assembled Billiard Table Assembly (#1) face down in your work area.

Step 2 - Attach the (#2) and (#3) Legs to the Cabinet using one of Leg Bolt (#8), two of Washers (#9), one of Rod Bolt (#14), One of Wing Bolt (#15) per Leg. See FIG. 1.

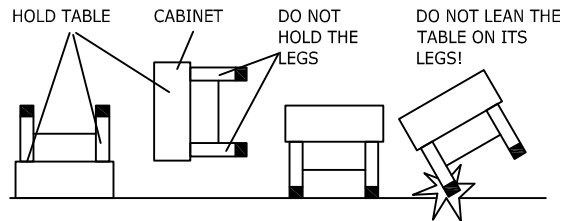
Step 3 - Insert four Cross Barrel Nuts (#6) into each End Leg Braces (#4). Then attach the three End Leg Braces (#4) to the Legs (#2 & #3) using Leg Bolts (#10) and Washers (#11) per Leg. See FIG. 1.



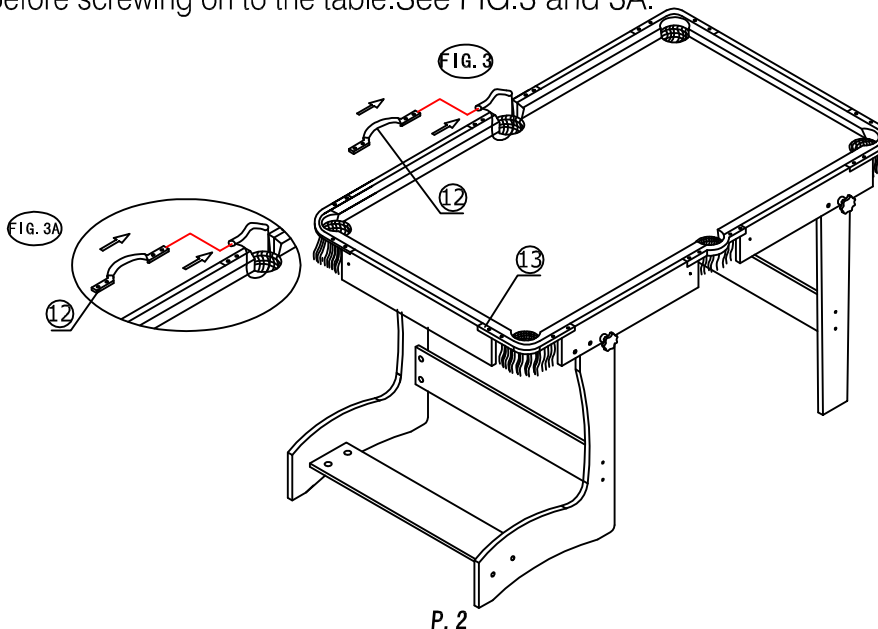
Step 4 - Lift the table assembly from the floor with two strong adults, turn it over, and set table on its legs in the location where you will play. Go back and make sure that all connections are tight.



**CAUTION:** Two adults are recommended to flip the table as shown.  
 1. Grab the table on the ground.  
 2. Turn the table over.  
 3. Place it on all four feet at the same time on the ground.

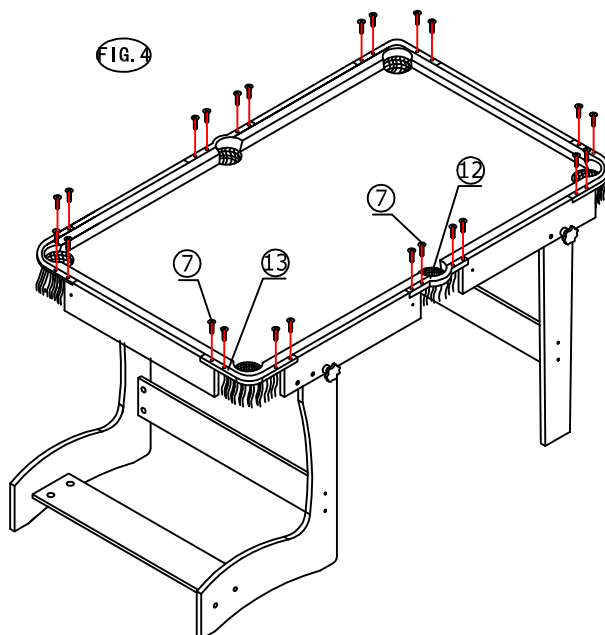


Step 5 - Please insert the two Centre (#12) and the four Corner (#13) Pocket Brackets into the leather pocket sleeve before screwing on to the table. See FIG. 3 and 3A.



Step 6 - Attach the two Centre (#12) and the four Corner (#13) Pocket Brackets to the Cabinet using four of Flat Head Screws (#7) per Side Bracket. See FIG.4.

THE GAME ASSEMBLY IS COMPLETE .  
YOU ARE NOW READY TO PLAY.



Step 7 - Loosen the Wing Bolts (#15) on both sides, fold the table. See FIG.6A. Then locate the Legs to the Cabinet using Wing Bolts (#15) as shown in FIG.5B.

