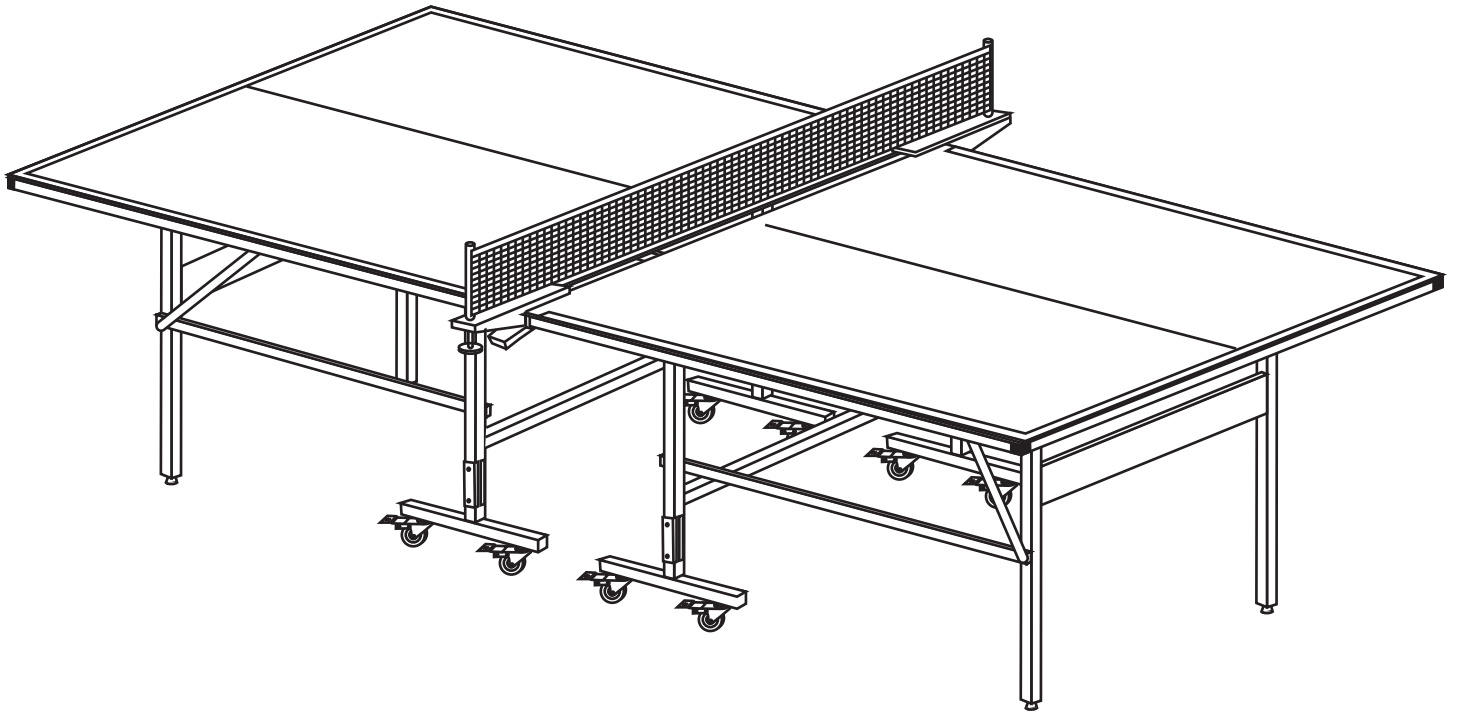
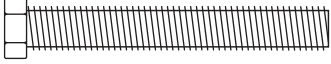

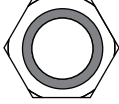
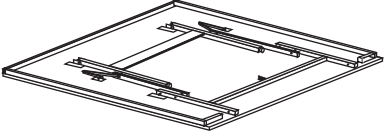
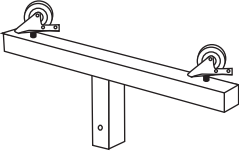

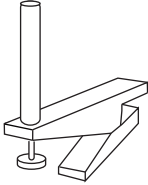
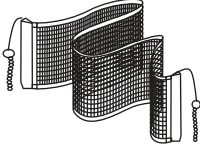


ASSEMBLY INSTRUCTIONS

SUT-9F10



PARTS LIST

<p>①</p>  <p>8 mm x 45 mm Hex Head Bolt (8 pcs)</p>	<p>②</p>  <p>8 mm x 16 mm Plastic Flat Washer (16 pcs)</p>	<p>③</p>  <p>8 mm Nylon Lock Nut (8 pcs)</p>
<p>④</p>  <p>Table Tennis Table Top Frame Assembly (2 pcs)</p>	<p>⑤</p>  <p>Leg with Casters Assembly (4 pcs)</p>	<p>⑥</p>  <p>Connector (8 pcs)</p>
<p>⑦</p>  <p>Net Post (2 pcs)</p>	<p>⑧</p>  <p>Net (1 pc)</p>	

STEP 1:

Lay one piece #4 Table Tennis Table Top Frame Assembly flat with playing surface facing down as shown in **FIGURE 1A**.

Unlock the **SAFETY LOCK** as shown in **DETAIL A** and raise **FRONT LEGS** to a vertical position and lock both hinges as shown in **FIGURE 1B & DETAIL B**.

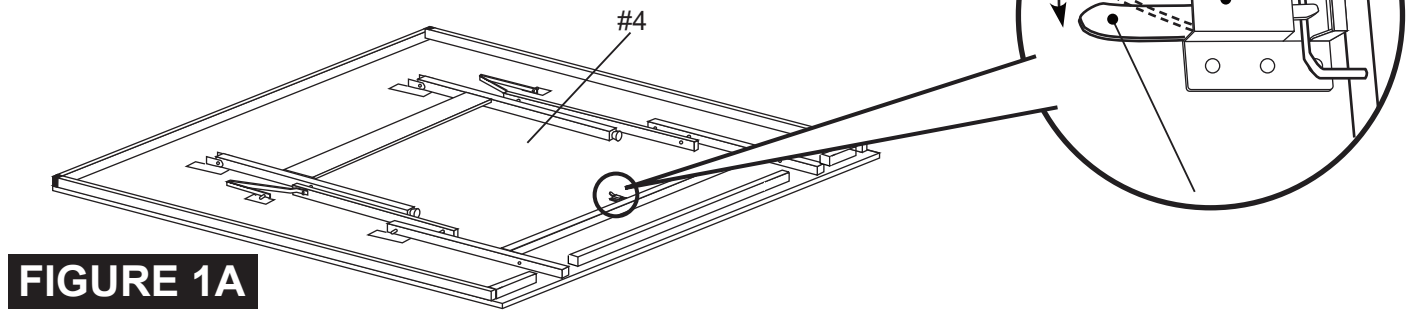


FIGURE 1A

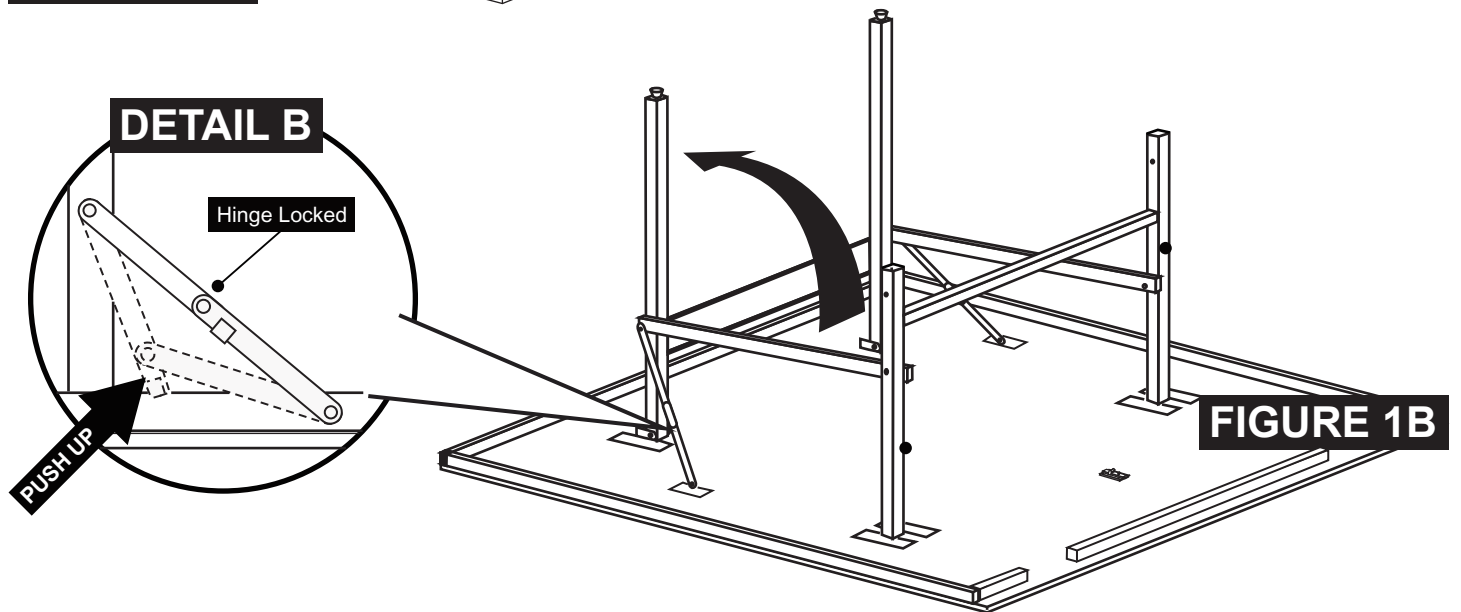


FIGURE 1B

STEP 2:

Install #5 Leg with Casters Assembly with #6 Connectors using #1 Hex Head Bolts, #2 Flat Washers and #3 Lock Nuts as shown in **FIGURE 2 & DETAIL C**. Tighten this hardware.

Repeat procedure for other table top.

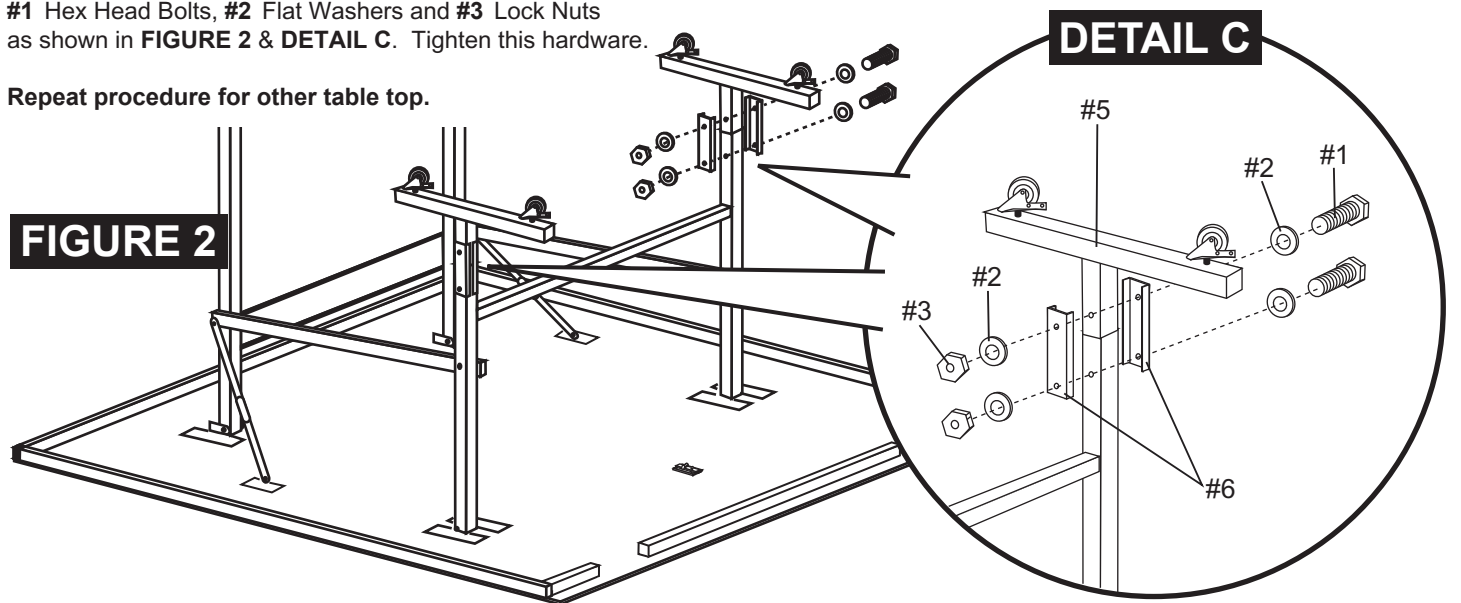


FIGURE 2

STEP 3:

Attach one **#7** Net Post to the middle edge of where the table halves meet.
Repeat this with other **#7** Net Post on opposite side.

Then, slide Net into corresponding **#7** Net Post and repeat for the other side.
Make sure the white fabric of the net is on top. Use strings at either end of the **#8** Net to tighten the net and attach to base of net post securely.

